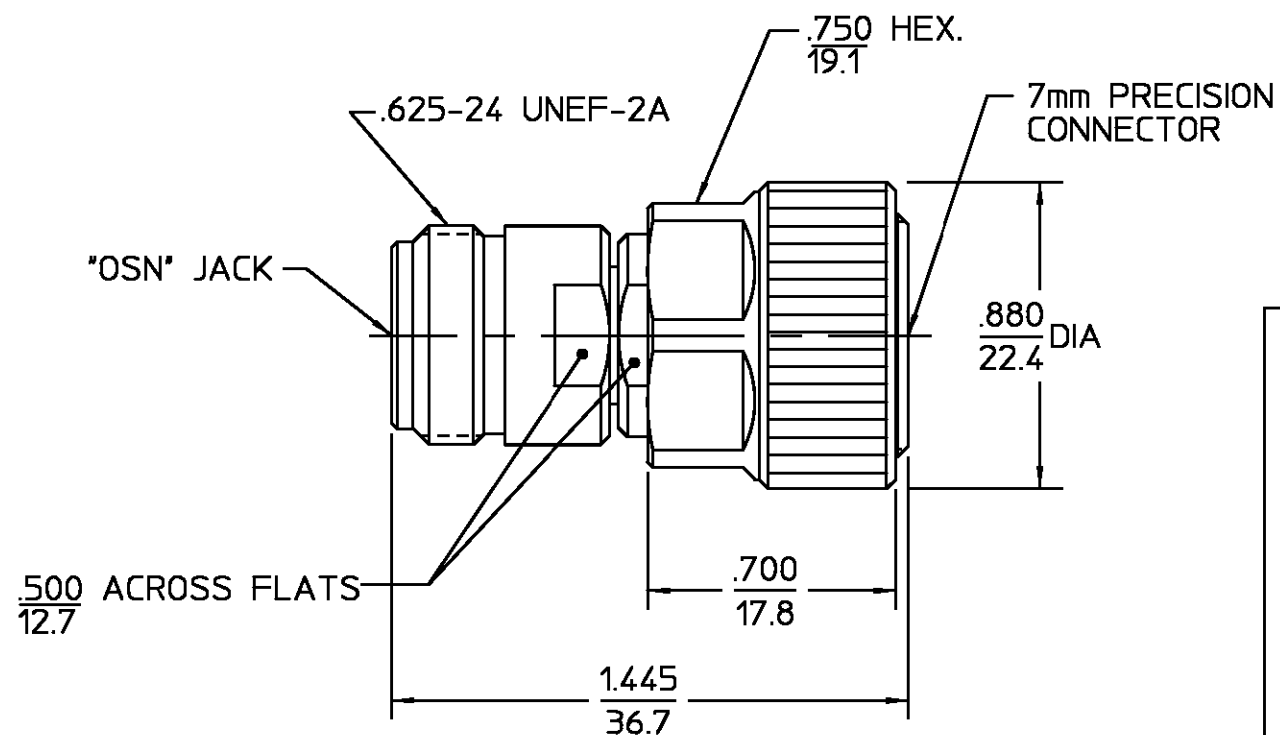


REVISIONS			
REV	DESCRIPTION	DATE	APPROVED
03 ₁	REVISED	12/16/95 7/18/96	<i>RAC</i>
B	PER EC 0U20-0116-01-03	16NOV01	<i>C. Hoang</i> 16NOV01



SLIDE ASS'Y	STAINLESS STEEL PER ASTM-A484 AND ASTM-A582, TYPE 303	ELECTRO-POLISHED
COUPLING NUT		
HOUSING	STAINLESS STEEL PER ASTM-A484 AND ASTM-A582, TYPE 303	GOLD PLATE PER MIL-G-45204
HOUSING	STAINLESS STEEL PER ASTM-A484 AND ASTM-A582, TYPE 303	PASSIVATE PER QQ-P-35
DIELECTRIC	TFE FLUOROCARBON PER ASTM-D-1457	N/A
CONTACT EXT.	BERYLLIUM COPPER PER ASTM-B-196 OR ASTM-B-197, ALLOY C17300, CONDITION H	GOLD PLATE PER MIL-G-45204
GASKET	SILICONE RUBBER PER ZZ-R-765	N/A
RETAINING RING	BERYLLIUM COPPER PER ASTM-B-194, ALLOY C17200, CONDITION H	N/A
CENTER CONTACT	BRASS PER ASTM-B-16, HALF HARD	GOLD PLATE PER MIL-G-45204
COMPONENT	MATERIAL	FINISH

UNLESS OTHERWISE SPECIFIED DIMENSIONS ARE IN INCHES		DRAWN BY D.CAM DATE 7/14/78		AMP AMP Incorporated 140 Fourth Avenue Waltham, MA 02451-7599	
FRAC. DEC. ANGLES ± 1/64 ±.005 ± 1°		CHECKED BY KWW DATE 7/20/78			
		APPD BY RMF DATE 7/25/78			
These drawings and specifications are the property of M/A COM Interconnect Div. and shall not be reproduced or copied or used in whole or in part as the basis for the manufacture or sale of item(s) without written permission.		USE ASSY PROCEDURE NO. A.P. N/A		TITLE 7MM PRECISION ADAPTER "OSN" JACK	
		SIZE B	CODE IDENT NO. 26805	7082-5004-00	REV 03 ₁
		SCALE 2:1		SHEET 1 OF 1	

NOTES:

1. CAPTURED CENTER CONTACT
2. FREQUENCY: DC-18.0 GHz
3. VSWR (MAX): 1.008 +.002f GHz

.XXX = in
XX.X = mm